

# V44094PIB

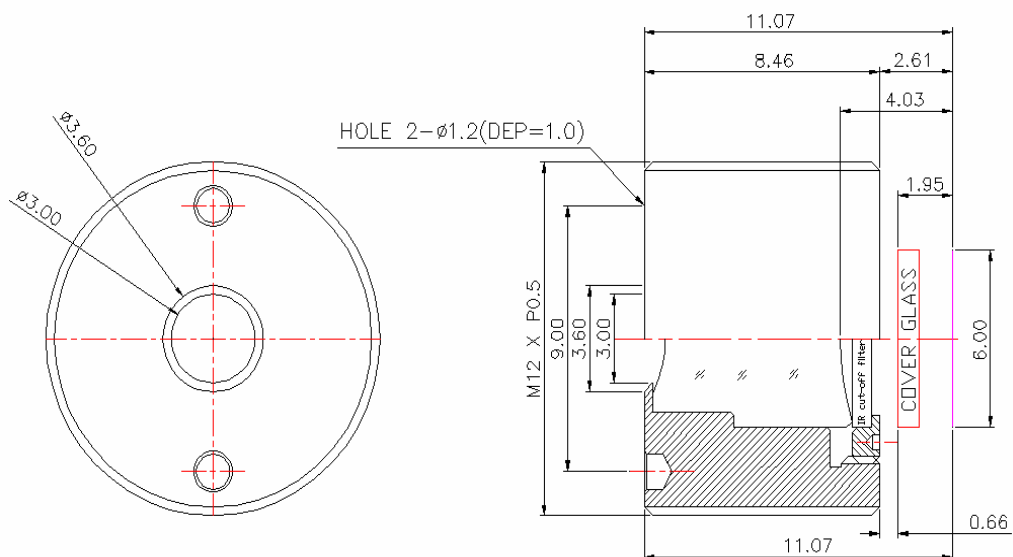
Model : V44094PIB						
Sensing Area(°)	1/3"			1/4"		
Field of View(°) D/H/V±1%	94	68	48.8	62.8	48.8	35.8
TV Distortion(%)	-9.51			-4.65		
Focal Length	4.44mm±5%					
Back Focal Length	4.03 mm±5%					
Flange Back Length	2.61 mm±5%					
F/#	2.5					
Iris	Fixed					
Diameter (Thread)	M12.0 × 0.5 Pitch					
TTL	11.07 mm±5%					
Lens Construction	4 Elements (1 Aspheric) & IR Cut-Off Filter					

## Features

- High Image Quality
- Compatible with CCD & Micron Image Sensor
- Both 1/3" and 1/4" image format
- Automotive, Security and Surveillance Applications



## Dimension



Subject to change without notice