

# V44073PIB

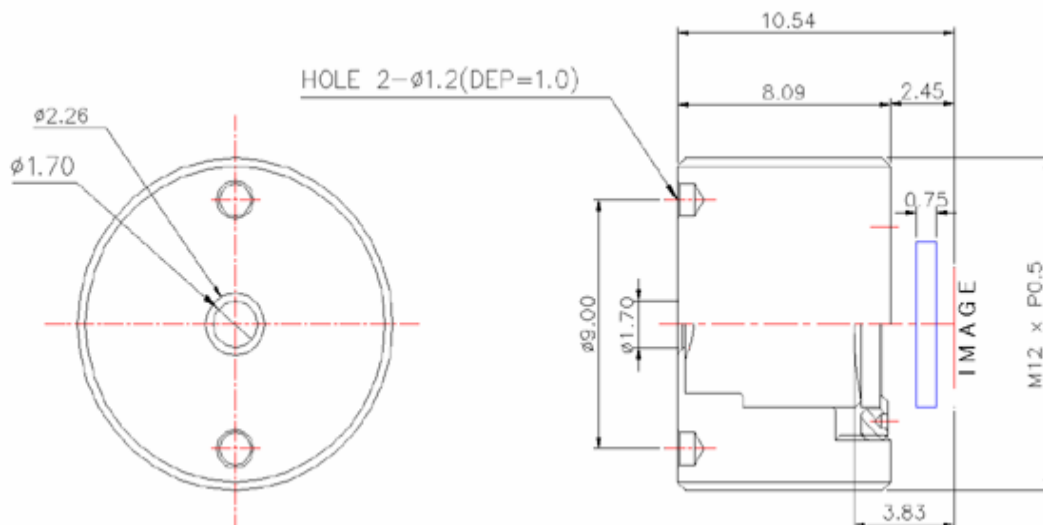
Model : V44073PIB						
Sensing Area(°)	1/4"			1/3"		
Field of View(°) Diagonal±1%	61.3	47.9	35.4	88.1	66.1	47.9
TV Distortion(%)	-4.9			-8.9		
Focal Length	4.46mm±5%					
Back Focal Length	3.83 mm±5%					
Flange Back Length	2.45 mm±5%					
F/#	2.5					
Iris	Fixed					
Diameter (Thread)	M12.0 × 0.5 Pitch					
TTL	10.54 mm±5%					
Lens Construction	4 Elements (1 Aspheric)					

## Features

- High Image Quality
- Compatible with CCD & Micron Image Sensor
- Both 1/3" and 1/4" image format
- Automotive, Security and Surveillance Applications



## Dimension



Subject to change without notice