

V38090PIA

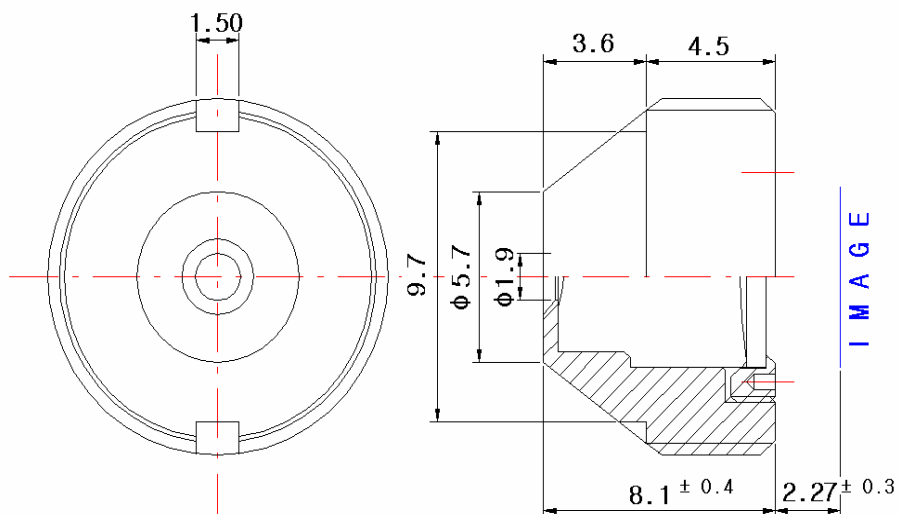
Model : V38090PIB						
Sensing Area(°)	1/3"			1/4"		
Field of View(°) Diagonal±1%	103.1	73.7	52.5	68.0	52.5	38.5
TV Distortion(%)	-22.7			-8.0		
Focal Length	3.80mm±5%					
Back Focal Length	3.53 mm±5%					
Flange Back Length	2.27 mm±5%					
F/#	2.5					
Iris	Fixed					
Diameter (Thread)	M12.0 × 0.5 Pitch					
TTL	10.37 mm±5%					
Lens Construction	4 Elements (1 Aspheric) & IR Cut-Off Filter					

Features

- High Image Quality
- Compatible with CCD & Micron Image Sensor
- Both 1/3" and 1/4" image format
- Automotive, Security and Surveillance Applications



Dimension



subject to change without notice