

# V34094PIB

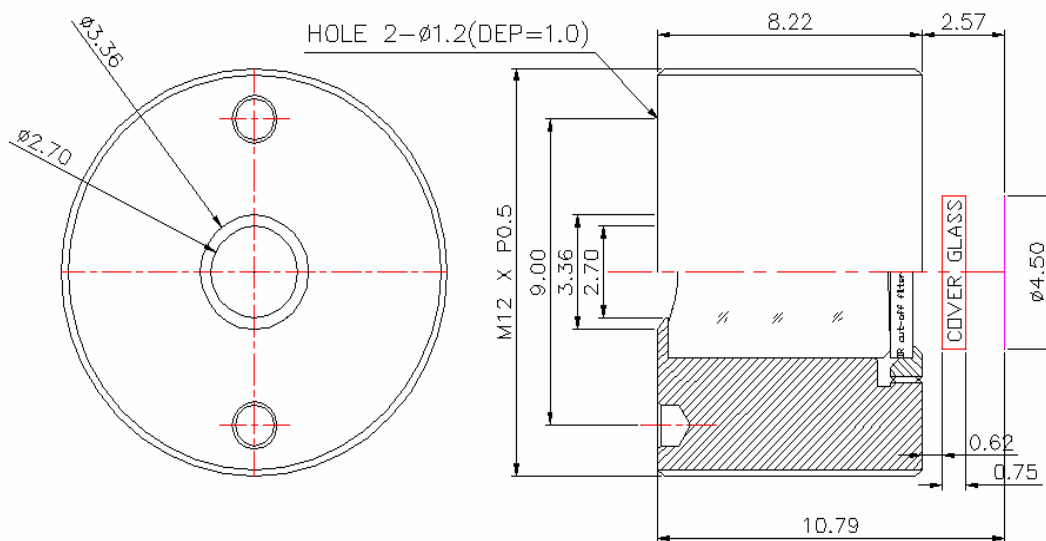
Model : V34094PIB			
Sensing Area(°)	1/4"		
Field of View(°) D/H/V±1%	96.1	68.0	47.8
TV Distortion(%)	-10.38		
Focal Length	3.43mm±5%		
Back Focal Length	3.52 mm±5%		
Flange Back Length	2.57 mm±0.3		
F/#	2.5		
Iris	Fixed		
Diameter (Thread)	M12.0 × 0.5 Pitch		
TTL	10.79 mm±5%		
Lens Construction	4Component 5 Elements (1 Aspheric) & IR Cut-Off Filter		

## Features

- High Image Quality
- Compatible with CCD & Micron Image Sensor
- Only 1/4" image format
- Automotive, Security and Surveillance Applications



## Dimension



Subject to change without notice