

V2316W

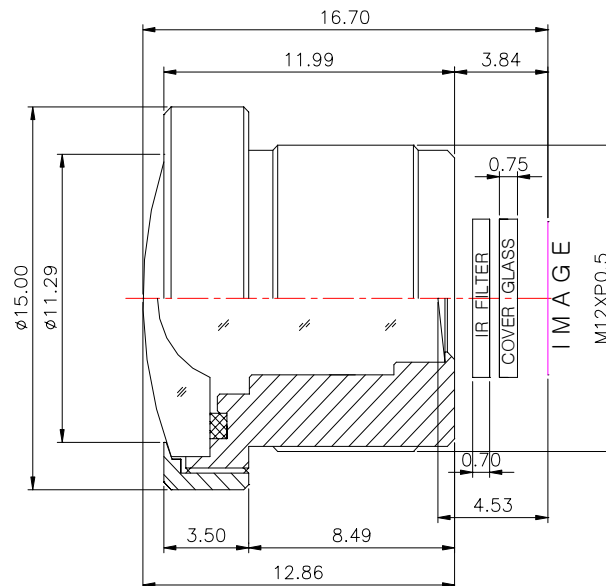
Model : V2316W						
Sensing Area(°)	1/3"			1/4"		
Field of View(°) D/H/V±1%	154.5	120.7	89.8	112.9	89.8	67.2
TV Distortion(%)	-21.6			-11.8		
Focal Length	2.30mm±5%					
Back Focal Length	4.53 mm±5%					
Flange Back Length	3.84 mm±0.3					
F/#	2.5					
Iris	Fixed					
Diameter (Thread)	M12.0 × 0.5 Pitch					
TTL	16.7 mm±5%					
Lens Construction	6 Elements (1 Aspheric)					

Features

- High Image Quality
- Compatible with CCD, OV7950, Micron Image Sensor
- Both 1/3" and 1/4" image format of wide angle lens
- Automotive, Security and Surveillance Applications



Dimension



Subject to change without notice