

V18160

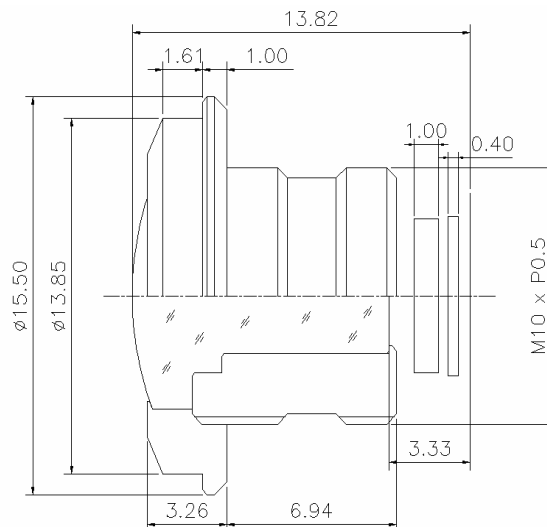
Model : V18160			
Sensing Area(°)	1/4"		
Field of View(°) D/H/V±1%	160.5	121	88
TV Distortion(%)	-22.8		
Focal Length	1.82 mm±5%		
Back Focal Length	3.48mm±5%		
Flange Back Length	3.16 mm±0.3		
F/#	2.2		
Iris	Fixed		
Diameter (Thread)	M10.0 × 0.5 Pitch (M12 x P0.5 available)		
TTL	13.82 mm±5%		
Lens Construction	6 Elements (1 Aspheric)		

Features

- High Image Quality
- Compatible with CCD, Micron, Pixelplus Image Sensor
- Really Short TTL Length 13.82mm
- Automotive, Security and Surveillance Applications
- In case of F/# 1.8 lens, it's made according to exclusive order, not popular sales



Dimension



Subject to change without notice